



Driver & Vehicle
Standards
Agency

MOT Test Certificate

MOT Test Number 215224219912	Vehicle Registration Mark LP59BZN	Vehicle Identification Number SB1ED76L00E031471
Make TOYOTA	Model AVENSIS	Colour Silver
Issuer's Name D. T. HEAGARTY	Test Class 4	Country of Registration Great Britain
Expiry Date 17 April 2017 (SEVENTEEN)	Issued 4 Apr 2016	Test Station 77882

Odometer Reading and History

4 4 2016: 164889 mi
30 3 2016: 164677 mi
2 4 2015: 139997 mi
3 4 2014: 99810 mi

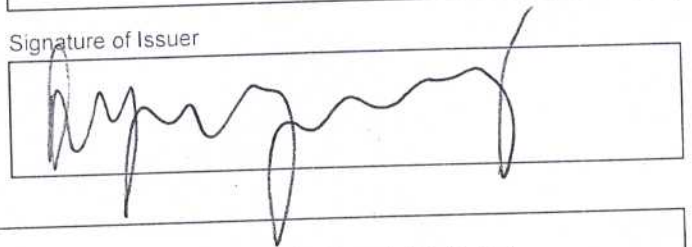
Inspection Authority

CENTRAL GARAGE SERVICES EXETER LTD
31-35 OLD TIVERTON ROAD
EXETER
EX4 6LG
01392 428088

Additional Information

To preserve the anniversary of the expiry date, the earliest you can present your vehicle for test is 18 March 2017.

Signature of Issuer



Advisory Information

- 001 (rear wiper blade split)
- 002 brake disc worn, pitted or scored, but not seriously weakened nearside front [3.5.1i]
- 003 brake disc worn, pitted or scored, but not seriously weakened offside front [3.5.1i]

About this document

- 1 This document is a receipt style certificate telling you that an MOT Test pass result has been recorded in the Driver & Vehicle Standards Agency's (DVSA's) database of MOT Test results; this can be verified at www.gov.uk/check-mot-status.
 - 2 A test certificate relates only to the condition of the components examined at the time of test. It does not confirm the vehicle will remain roadworthy throughout the validity period of the certificate.
 - 3 Check carefully that the details are correct.
 - 4 Whilst advisory items listed above do not constitute MOT failure items, they are drawn to your attention for advice.
 - 5 For further information about this document, please visit www.gov.uk/getting-an-mot or contact DVSA on 0300 123 9000*.
- *Your call may be monitored or recorded for lawful purposes.

Comprehensive Vehicle Inspection Report

Customer Details

Exeter Motor Works
Old Tiverton Road
Exeter

Report Date: 10/05/16

Report No: 9762

Customer's contact details

Home:

Work: 01392 210739

Mobile: 07810825111

VEHICLE DETAILS

Make TOYOTA

Registration Number LP59 BZN

Model AVENSIS TR D-4D

Colour ALUMINIUM/SILVER

Vehicle Identity Number (VIN) SB1ED76L00E031471

VIN Checked and confirmed
on vehicle
Yes X No

V5/Registration document
available and checked No

MOT Certificate available and
checked YES

Mileage reading In 167178
(Not guaranteed) Out 167174

MOT Expiry Date 17/04/17

Vehicle Excise Licence Expiry 01/04/17

Date of inspection 10/05/16

Time of inspection 14:20

Location of vehicle Exeter Motor Works, Old Tiverton Road, Exeter.

Lighting Good

Weather. Good
(See notes)

Ramp available. Yes No
(See notes)

SECURITY CHECK

The vehicle identification number on this vehicle was checked and found to be **consistent** with the manufacturer's format.

SUMMARY REPORT

READY FOR USE – No faults found, suitable for immediate use.

X **ADVISABLE REPAIRS ONLY** – Suitable for immediate use but advisable repairs should be planned for.

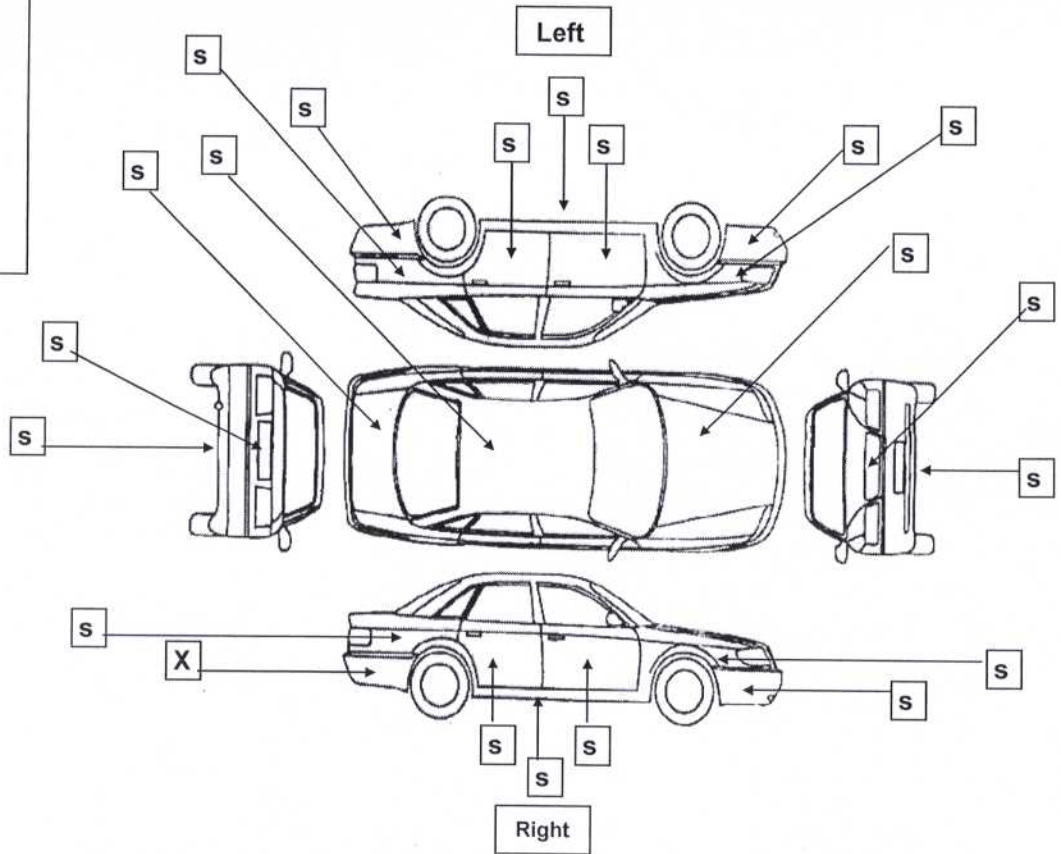
ESSENTIAL AND ADVISABLE REPAIRS REQUIRED – Not suitable unless all essential repairs are undertaken and advisable repairs, if any are planned for.

UNSATISFACTORY – Vehicle has significant deficiencies, which are judged to be impractical or uneconomical to repair to a satisfactory standard.

Please read all pages of this report

KEY:

- S satisfactory
- R repainted
- = scratch
- X dent
- O corrosion
- C chip / rust
- P previous repairs



Minor blemishes, which are acceptable fair wear and tear for the vehicle's age, recorded mileage and type, are not recorded and you should satisfy yourself in this regard.

EVIDENCE OF BODYWORK REPAIRS	Yes	No X
BODYWORK CLEAN AND DRY	Yes X	No (See Notes)

Comments

The exterior body condition was good and commensurate with the vehicles age and recorded mileage.

KEY FOR POINTS ON FOLLOWING PAGES

- S Satisfactory for age and recorded mileage
 - Could not be checked
 - x Essential repair requiring immediate attention
 - A Advisable repair should be considered prior to purchase
 - N/A Not applicable
 - Y Yes
 - N No
- Please note: Right = Off side (O/S) and Left = Near side (N/S) as viewed from the driver's seat.

BODY EXTERIOR

1. Panel Condition / alignment	S	6. Door locks - operation	S	11. Mud flaps	S
2. Paintwork	S	7. Fuel filler cover and cap	S	12. Body panels	S
3. Exterior trim /grille	S	8. Soft top / Hard top (operation)	N/A	13. Bonnet catch	S
4. Glass	S	9. Body damage	S	14. Bonnet hinges	S
5. Bumpers / No plates – Ft / Rr	A	10. Corrosion	No	No	

ENGINE COMPARTMENT
PETROL **DIESEL** **MULTI-FUEL**
No. of CYLINDERS: 4

15. Coolant Level / Condition	S	22. Power Steering – oil level	S	29. Turbo / supercharger	--
16. Coolant leaks	No	23. Clutch Fluid	S	30. Fuel pump / pipes	S
17. Antifreeze *	S	24. Brake Fluid	S	31. Accelerator linkage	S
18. Radiator / Cap	S	25. Engine Oil level	S	32. Cold starting	--
19. Hoses / Pipes	S	26. External leaks (upper engine)	S	33. Fast idle (cold)	--
20. Drive Belts	--	27. Engine mountings	S	34. Noise level (cold)	--
21. Water Pump (Not visible)	--	28. Fuel Injection	S	35. Excess fumes / smoke	No

Note - To ensure future serviceability, it is important that the engine camshaft belt is replaced at intervals specified by the manufacturer. It is in your best interests you ensure that this is carried out. * Antifreeze only has a 2/3 year life span and requires its strength adjusting after this time or replacing as per manufacturers specifications.

ELECTRICAL / CONTROLS

36. Starting system / Ignition lock	S	41. Rear lights & No. plate lights	S	49. Instruments	S
37. Battery condition	S	42. Stop lights	S	50. Horn	S
38. Battery voltages:	S	43. Indicator/ Hazard lights	S	51. Radio/Cass/CD/Aerial	S
- Normal 12.62 volts	S	44. Reverse / Fog lights	S	52. Heater / Fan controls	S
- Starting 10.02 volts	S	45. Auxiliary lights	N/A	53. Air Con operation	S
- Charging 14.11 volts	S	46. Interior / Panel lights	S	54. Windows / Sun roof	S
39. Headlights	S	47. Mirrors (electric)	S	55. Wipers / Washers	S
40. Sidelights / running lights	S	48. Controls / Switches	S	56. Headlamp wash / wipe	N/A

Note - We are unable to verify dash panel light and switch back lighting operation due to the daylight conditions. Please note that switching them "on or off" only assesses electrical components. Accuracy of instruments cannot be assessed.

INTERIOR / LUGGAGE COMPARTMENT**NUMBER OF SEATS: 5**

57. Steering Wheel / Adjustment	S	64. Door seals / hinges	S	71. Rear parcel shelf / load cover	--
58. Seat upholstery	S	65. Interior sills	S	72. Boot / tailgate lock	S
59. Seat adjustment	S	66. Headlining / visors	S	73. Luggage area trim con	S
60. Seatbelts	S	67. Sun roof	N/A	74. Illumination light	S
61. Carpets / Mats	S	68. Dash panel (condition)	S	75. Tool kit	S
62. Door trim panels	S	69. Cigarette lighter	N/A	76. Hard / Soft top (condition)	N/A
63. Door fittings / operation	S	70. Mirrors (internal)	S	77. Tonneau cover	N/A

FRONT SUSPENSION / STEERING / UNDER FRAME

78. Engine underside leakage	No	83. Wheel hubs / bearings	S	88. Sub-frames mountings	S
79. Steering joints/ ball joints	S	84. Springs/suspension units	S	89. Suspension arms / mountings	S
80. Steering rack / box	S	85. Pipes / hoses	S	90. Tie bars / anti roll bars	S
81. Chassis members	S	86. Dampers (condition / leaks)	S	91. Corrosion protection	Yes
82. Power steering (operation)	S	87. Gaiters	S	92. Corrosion – floor/chassis	No

REAR SUSPENSION / UNDER FRAME

93. Springs/suspension bars	S	97. Location rods/fixings	N/A	101. Sub-frames/ mountings	S
94. Anti roll bar	S	98. Bump stops/gaiters	N/A	102. Chassis members	S
95. Dampers/bushes	S	99. Wheel hubs/bearings	S	103. Corrosion protection	Yes
96. Suspension arms/fixings	N/A	100. Pipes/hoses	N/A	104. Corrosion – floor/chassis	No

CLUTCH / TRANSMISSION
MANUAL **AUTOMATIC**
MULTI-USE / 4x4 **SIX SPEED GEARBOX**

105. Fluid / oil leaks	No	109. Casings	S	113. Backlash	S
106. Cables / adjustments	N/A	110. Mountings	S	114. Gaiters	S
107. Hydraulic system	S	111. Drive shaft assembly	S	115. Propshaft(s) / fittings	N/A
108. Linkage (wear)	S	112. Universal / sliding joints	S	116. Bearings / supports	N/A

EXHAUST SYSTEM

117. Manifold	S	120. Silencer(s)	S	123. System condition	S
118. Pipes	S	121. Heat shields / mountings	S		
119. Catalytic converter (s)	S	122. Joints / couplings	S		

FUEL SYSTEM

124. Tank	S	126. Fuel lines	S	128. Evidence of leaks	No
125. Tank fixings	S	127. Breather pipes	S		

BRAKES

129. Master cylinder security	S	132. Flexible hoses	S	135. Handbrake op / adjustment	S
130. Fluid leaks	No	133. Pipes / connections	S	136. Handbrake mechanism	S
131. Servo / power system	S	134. Discs / pads (if visible)	S	137. Pedal and pad / linkage	S

Note - If the vehicle is fitted with brake drums the internal parts including linings are not visible. Brake fluid should be replaced at the manufacturers specified intervals.

WHEELS AND TYRES Type: Alloy

It is recommended tyres be replaced when the tread depth reaches 2mm. If uneven tyre wear is noted, this may indicate incorrect geometry, which can result in excessive and rapid tyre wear. A full steering and geometry check is recommended.

138. Wheel Rims	S				
139. Wheel Trims	S				
Tyres	Make	Size	Type / Construction	Min tread depth	
140. Front RH	Sunew	225/50/17	Radial	5.0mm	S
141. Front LH	Sunew	225/50/17	Radial	5.5mm	S
142. Rear LH	Sunew	225/50/17	Radial	6.7mm	S
143. Rear RH	Sunew	225/50/17	Radial	6.6mm	S
144. Spare	Dunlop	145/70/17	Radial	5.5mm	S

145. ROAD TEST

The road test has been undertaken within the speed limits and prevailing traffic conditions in the locality of the inspection. If a road test has not been carried out, please refer to the engineer's comments page.

*If the vehicle is fitted with 4wd transmission then the systems have been checked for security, leakage and excessive noise. However, within the limitations of the road test the full functionality could not be checked.

Test Distance 3 Miles

Speed achieved up to 40 MPH

146. Final drive operation / Noise level	S	153. Instrument /controls function	No	160. Road holding / stability	S
147. Gearbox operation / Noise level	S	154. Steering wheel alignment	S	161. General steering / handling	S
148. Engine performance	S	155. 4WD operation *	N/A	162. Footbrake operation	S
149. Engine noise	S	156. Clutch operation **	S	163. Hand/park brake operation	S
150. Excess smoke	No	157. Cooling fan operation	S	164. Suspension noise	No
151. Overheating evidence	No	158. Steering effort	S	165. Warning lights	S
152. Auto changes / kick-down	N/A	159. Hot restarting	S	166. Cruise control	S

** It should be carefully noted that the life expectancy of clutches is uncertain and difficult to predict, being dependant on owners driving style, vehicle operation and terrain. The fact that the clutch has not been identified as faulty/slipping/juddering/noisy on the report does not and should not be taken to imply that the clutch assembly will have a continuing life expectancy from the time of our check. They can begin to slip at any time.

FINAL CHECK

167. Oil leaks	No	168. Coolant leaks	No	169. Uneven tyre wear	No
----------------	----	--------------------	----	-----------------------	----

Report No: 9762

Vehicle documents and Inspection environment notes.

Engineer Indicate with "X" as applicable.

Registration Document (V5):

- No registration document was seen with the vehicle and you are advised to satisfy yourself that the vehicle identification number and engine number (where quoted) correspond to those shown on this report. Warning: **DO NOT BUY ANY VEHICLE WITHOUT A V5.**
- The V5/Registration Document shows _____ previous keeper(s), the last change of Keeper on _____

Security:

- The Master Key was not available. Please ensure this is supplied if the vehicle is purchased.
- The engineer recommends that relevant spare and service keys be obtained prior to purchase.
- Obtain hand books and radio codes for vehicle prior to purchase as these were not seen in the vehicle.

MOT:

- As only a small amount of time is left on the MOT Certificate (less than 3 months) the engineer recommends a full year's MOT be obtained prior to purchase.
- An eleven month MOT Certificate has been seen with the vehicle.

Servicing:

- The service history seen, indicated that the last recorded service was carried out at miles. No immediate servicing is necessary. Next service is due as per manufacturer's recommendations or as per the Vehicles Service indicator.
- The service history seen, indicated that the last recorded service was carried out on miles. Therefore the engineer would suggest a full service and brake inspection to the manufacturer recommendations prior to purchase, which may reveal further defects not apparent at this examination.
- No service documentation seen with this vehicle and therefore the engineer would recommend a full service and brake inspection to the manufacturer's recommendations prior to purchase, which may reveal further defects not apparent at this examination.

Inspection conditions notes:

- No vehicle hoist/ramp was available. A large trolley jack and stands were used in order to carry out underside checks. This limits the view of the underside. Some areas could not be fully seen. There *may* be further defects, which may be visible given clear access and view.
- The body/paintwork was wet/dirty/dusty this severely restricts inspection of the paintwork. Please note that there may be other defects present, which were not visible due to the obscured paintwork, but which may become visible once dry and clean.

Report No: 9762

Engineers Comments

The vehicle is considered overall to be a fair and reasonable example of the type, being in a generally reasonable condition and generally considered to be consistent with the type for the age and indicated recorded mileage in most areas.

The items listed as "could not be checked" (---) normally indicate items were obscured by covers/shields or other equipment.

The Water pump – Engine drive belt/chain - these items could not been fully examined, as covers, trims and other equipment obscure them.

The cooling system was pressure tested to 0.7 bars, no pressure loss was noted on the system or pressure cap. The antifreeze concentration was an acceptable, but has deteriorated from its original strength and at the next routine service may need to be refreshed/replaced. It is advised that the coolant strength be checked again at the next routine service. Antifreeze only has a 2/3-year life and requires its strength adjusting after this time or replacing as per manufacturer's specifications.

The vehicle is fitted with vented front brake disc and pads, supported at the rear by a single arrangement. Although the visible brakes only show some signs of general serviceable wear, some deterioration is noted, which will need attention in the near future. It is strongly advised to remove all road wheels and examine the inner brake components, which are obscured on this vehicle prior to purchase, replacing any worn or badly corroded parts. It is probable that the front brakes at least, will need to be replaced at the next routine service.

The braking system's fluid contains the presence of some water/condensation in the system. It is recommended that the fluid content is completely replaced at the next service interval.

The steering & suspension has been assessed to MOT standard. This allows for a degree of wear and deterioration of components without rendering them unserviceable. The extent of wear is not considered excessive at this juncture and unlikely to attract MOT failure.

The road test distance and or top speed was limited due to the general area/inspection location, and/or traffic levels and/or adverse weather conditions and/or lack of fuel when the vehicle was tested and driven. Comment cannot be made in these instances in relation to possible "high speed" or "sustained speed," related driving defects, which may become apparent at a later stage after any purchase due to these limiting conditions.

Essential Repairs

It is strongly advised that the essential defects are investigated and rectified prior to purchase.

Item	Comment
Additional Comments	
No vehicle hoist/ramp was available. A large trolley jack and stands were used in order to carry out underside checks. This limits the view of the underside somewhat. Some areas could not be fully seen. There may be further defects, which may be visible given clear underside access and view.	
The exhaust has been identified, as having limited life because, although there is no leakage present, there is some external corrosion present and the inside of the system, which may have significant deterioration, cannot be inspected internally.	
Please note that a service is recommended, this may reveal repairs or maintenance requirements that could not be identified due to the constraints of a visual and external examination of the vehicle carried out without the benefit of a vehicle hoist.	

Additional Comments

No vehicle hoist/ramp was available. A large trolley jack and stands were used in order to carry out underside checks. This limits the view of the underside somewhat. Some areas could not be fully seen. There may be further defects, which may be visible given clear underside access and view.

The exhaust has been identified, as having limited life because, although there is no leakage present, there is some external corrosion present and the inside of the system, which may have significant deterioration, cannot be inspected internally.

Please note that a service is recommended, this may reveal repairs or maintenance requirements that could not be identified due to the constraints of a visual and external examination of the vehicle carried out without the benefit of a vehicle hoist.

Report No: 9762

Advisable Repairs

Please note that the advisable items may prove costly to repair, and must be considered.

Item	Comment
5	Damage to rear bumper right hand corner.

Additional Comments

The engineer was unable to verify dash panel light and switch back lighting operation due to the daylight conditions. Please note that switching them "on or off" only assesses electrical components. Accuracy of instruments cannot be assessed.

Although the radio operates when switched on, the full functionality of the in-car entertainment system has not been checked. This is beyond the scope of our inspections. You should ask the vendor to fully demonstrate the systems before purchase.

Report No: 9762

PLEASE READ CAREFULLY

- You are strongly advised to discuss the findings of this report with the vendor prior to making your decision to purchase the vehicle.
- Essential repairs should be investigated and rectified prior to purchase. These may be costly.
- Advisable repairs may prove costly to repair and must be considered prior to purchase.

Engineer's Name Phillip Bailey
Qualifications BSc Hons), M.I.M.I, AAE.